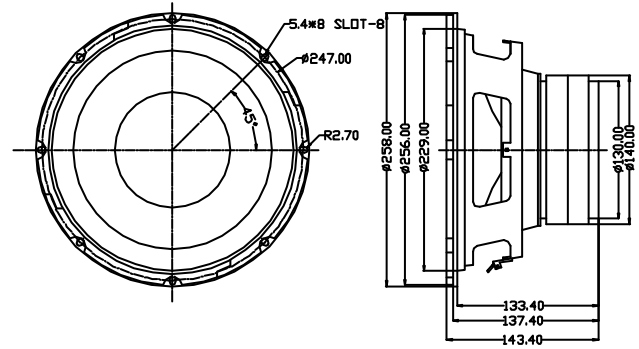
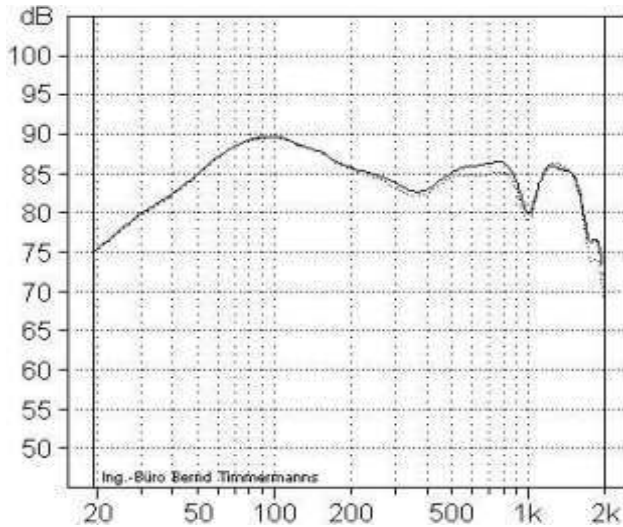


# BASSEXCITER®

From  Electronics

## BX 10



Dimensions are subject to tolerance variations.  
(All measurements in mm.)

### Description:

10" - Special bass woofer. Paper cone with extremely hard coating, wide rubber surround and double magnet. The coil core is ventilated and the basket is a rigid steel pressing. The four layer voice coil is capable of handling extreme peaks and is ideal for high power amps. The cone has a large displacement which makes it an ideal partner to the BXP10 BASSEXCITER® passive membrane. Using this combination, very low and precise bass reproduction can be achieved in relatively small enclosures.

### Technical Data:

Sensitivity @ 2.83 V/1 m: 90 dB  
Power handling RMS : 300W  
Peak: 600W  
Impulse: 1200W

Weight: 6kg

Voice coil diameter: 50mm

Voice coil height : 23,5mm

Voice coil winding : 4 layers

Voice coil material : Kapton™

Range : 31Hz - 200Hz

### Thiele-Small-Parameters:

Nominal Impedance: 4 Ohm

DC Resistance: 2,75 Ohm

Voice coil inductance @ 1kHz: 2,4 mH

Fs: 31 Hz

Qms: 4,6

Qes: 0,29

Qts: 0,28

Sd: 346 cm<sup>2</sup>

Vas: 62 litre

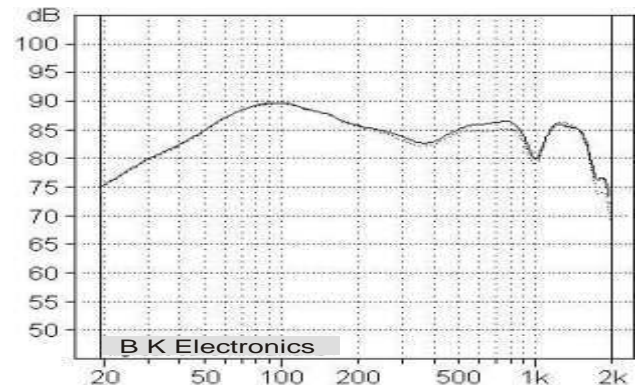
Mms: 72 g

Cms: 0,37 mm/N

Rms: 3,1 kg/s

Bl: 11,4 Tm

### Frequency response:



### Impedance response:

